

**Maintenance-free
softsealing
Swing Check Valve
lined
and
unlined**

with flanges
PN 16
DN 25 - 200
PN - 10
DN 250 - 300

Fields of application

- domestic applications
- general industries
- power plants
- chemical and industrial process engineering
- food and beverage industries

Suitable for potable water, utility water as well as aggressive and abrasive media.

Operating data

- operating temperature range from -10°C up to +120°C
- operating differential pressure admissible from 1 bar up to 16 bar

Design

Soft sealing swing check valve.
Sealing in Y-pattern with internal shaft inside the cover.

Specifications

valve	- designated	DIN/EN 19 (ISO 5209)
flange	- dimensions	DIN 2501 (ISO 2084/BS 4504)
	- surface	DIN EN 1092-2 Form B
face-to-face length	- RSK	EN 558-1 R1 (ISO 5752/1)
	- RSK-S, DN25	EN 558-1 R1
	- RSK-S	EN 558-1 R48

Inspection

certificate- material		EN 10204 2.2
		EN 10204 3.1 B
- final inspection		EN 10204 3.1 B

SISTO valves comply with the safety requirements of the Pressure Equipment Directive 97/23/EG, fluid group 1+2, modul A1.

SISTO valves have no own potential ignition source and can therefore, according to ATEX 94/9/EG, be used in hazardous locations of the group II, category 2 (zone 1+21) and category 3 (zone 2 +22)

Materials

Body	nodular cast iron/natural rubber hard	JS-1025/NRH
Cover	nodular cast iron/natural rubber hard	JS-1025/NRH +100°C
Disc	steel/Butyl	St.52/IIR +120°C
Gasket	EPDM	
Nuts	steel	5.6 A2E

Variants

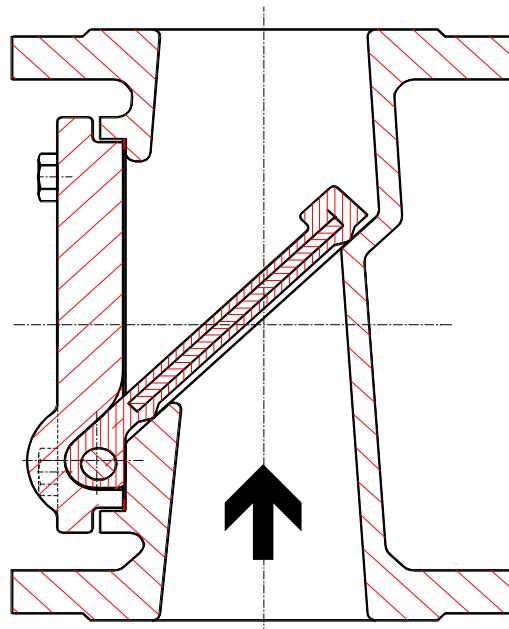
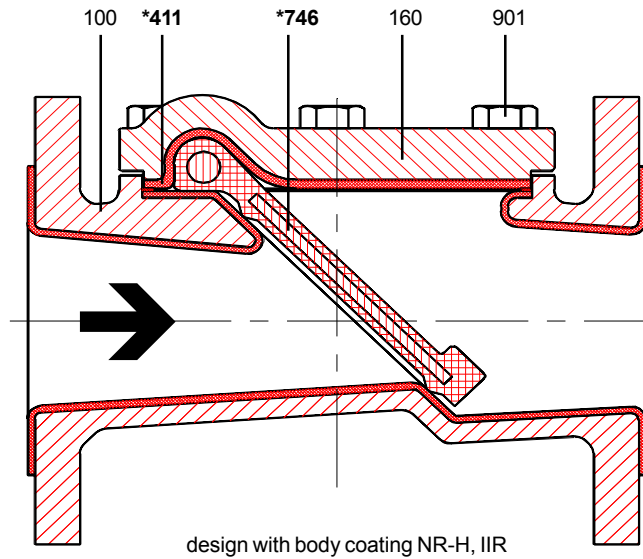
Body	nodular cast iron	JS-1025
Body- and	IIR	Butyl +120°C
Coverlining		
Body and	PA(DVGW)	Rilsan +90°C
Cover Coating	ECTFE	Halar +100°C
Disc Coating	EPDM (W270)	+90°C
	NBR	+90°C
	CSM	+100°C

These data are given as a guide only and do not apply to all operating conditions.

On all inquiries / order please specify

- | | |
|---------------------------|---------------------------------|
| 1 - type | 7 - medium |
| 2 - PN | 8 - pipe connection |
| 3 - DN | 9 - variants |
| 4 - working pressure | 10 - certificate |
| 5 - differential pressure | 11 - type series booklet-number |
| 6 - operating temperature | |





Item no.	Designation	Material	Note
100	body	JS-1025/NRH	standard
160	cover	JS-1025/NRH	standard
411*	gasket	EPDM	
746*	disc	St 52/IIR	standard
901	hexagon nut	5.6 A2E	

*recommended replacement part

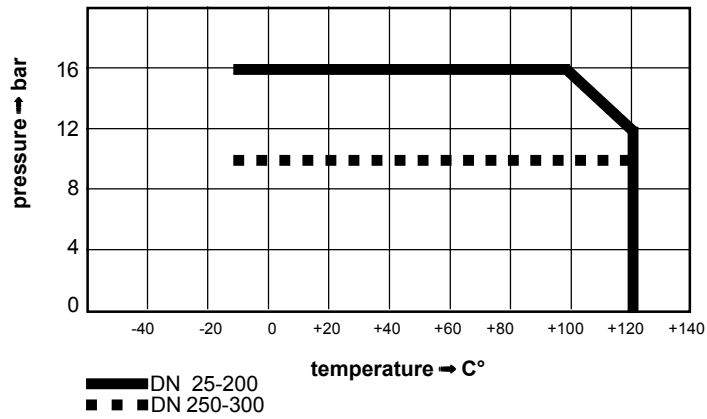
installation

Swing check valves can be installed in vertical and horizontal pipe runs.
If installed in a vertical run the flow direction has to be upwards.
Flow direction has to be in accordance with the arrow marked.

material limitations data sheet 8630.165

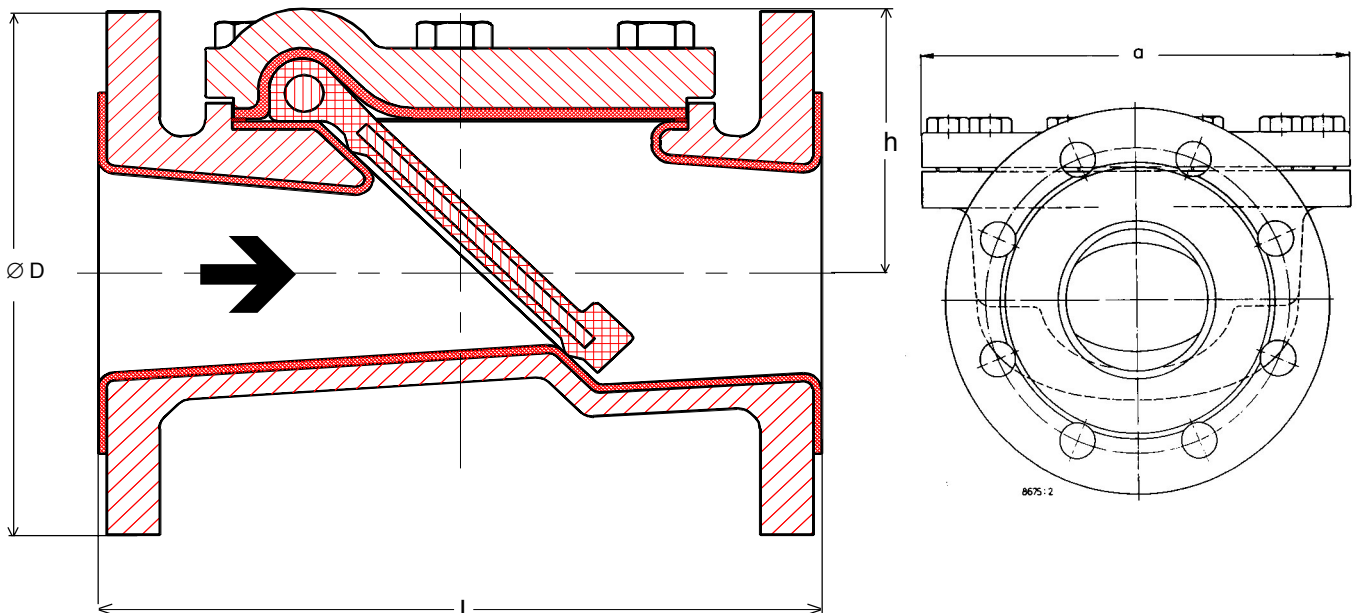
Operating instructions 0570.821

max. permissible operating pressure



flow values

DN	RSK Kv-value m³/h	RSK-S Kv-value m³/h
025	16	16
040	40	-
050	63	63
065	-	97
080	160	160
100	230	230
125	391	-
150	532	532
200	-	1002
250	-	1384
300	-	2254



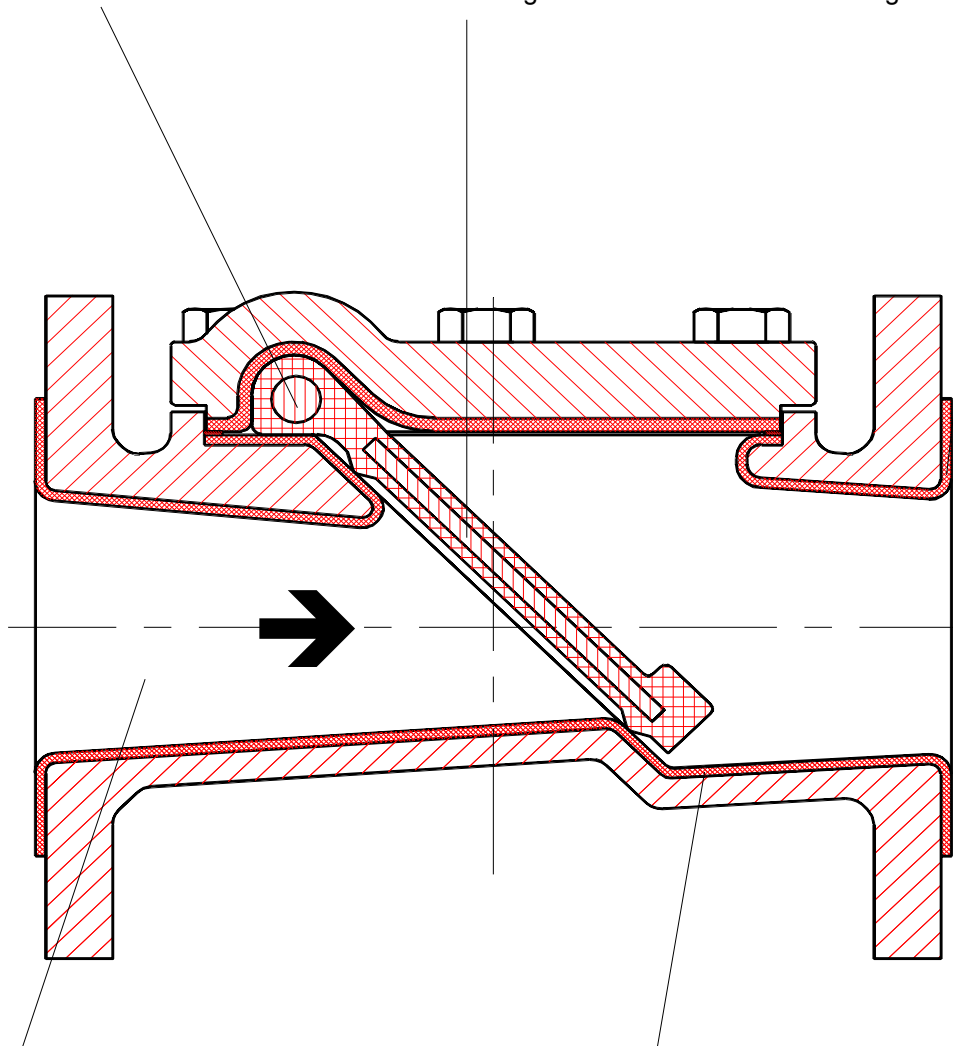
nominal diameter DN	face-to-face length		dimensions		height h	flange-diameter Ø D	weight	
	RSK l	RSK-S l	RSK a	RSK-S a			RSK kg	RSK-S kg
025	160	160	84	84	43	115	4	4
040	200	-	164	-	78	150	11	-
050	230	200	175	164		165	11	12
065	-	240	-			185	-	15
080	310	260	224	232	100	200	25	28
100	350	300				220	31	33
125	400	-	290	-	130	250	50	-
150	480	400		290		285	60	62
200	-	500	-	390	190	340	-	108
250	-	600	-			405	-	139
300	-	700	-	550	260	460	-	247

all dimensions in mm

internal shaft

disc
with soft rubber coating,
excellent tightness

lining
up to the middle of the
flange surface



hydrodynamic bodyshape
low flow drag,
no entrapment areas,
no sediments

lining optionally out of
hard or soft rubber
corrosion resistant to a wide
range of media,
soft rubber for abrasive media

This document is not contractual and
may be amended without notice.

8675.1/7-10 / 15.06.2004