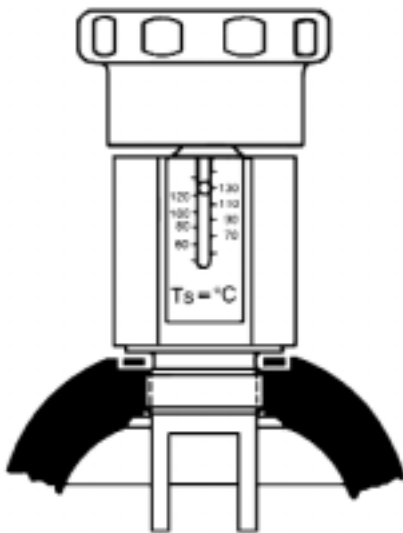


BW 31, DN 15–25 mm



Einstellvorrichtung

Features of the BW series

- Direct acting proportional controller for maintaining constant return temperatures.
- Used for regulating large heating systems and tracing systems, or for the temperature control of individual heat exchangers (washing baths, chemical and galvanic baths).
- The valve prevents short-circuiting and automatically balances large systems.
- Straight-through valve with balanced valve sleeve. Closing temperature set at our works.
- Valves with external setting device available on request.

Application

BW 31	for hot water
BW 31 A	for thermal oils

Specification*)

Type	PN	ΔPMX [bar]	Material		Pressure/Temperature PMA / TMA
			DIN	ASTM	
BW 31	25	6	C 22.8	A 105 ¹⁾	22 bar/180 °C
BW 31 A	25	6	C 22.8	A 105 ¹⁾	17 bar/320 °C

1) ASTM nearest equivalent grade is stated for guidance only.
Physical and chemical properties comply with DIN.

*) For more information see data sheets.

End Connections and Overall Lengths L

Typ	Connections	Overall length L [mm]			
		DN 15	DN 20	DN 25	DN 40
		1/2"	3/4"	1"	1 1/2"
BW 31	Flanged DIN PN 25	150	150	160	200
	Flanged ANSI 150	150	150	160	200
	Screwed sockets	95	95	95	–
BW 31A	Flanged DIN PN 25	150	150	160	200
	Flanged ANSI 150	150	150	160	200
	Screwed sockets	95	95	95	–

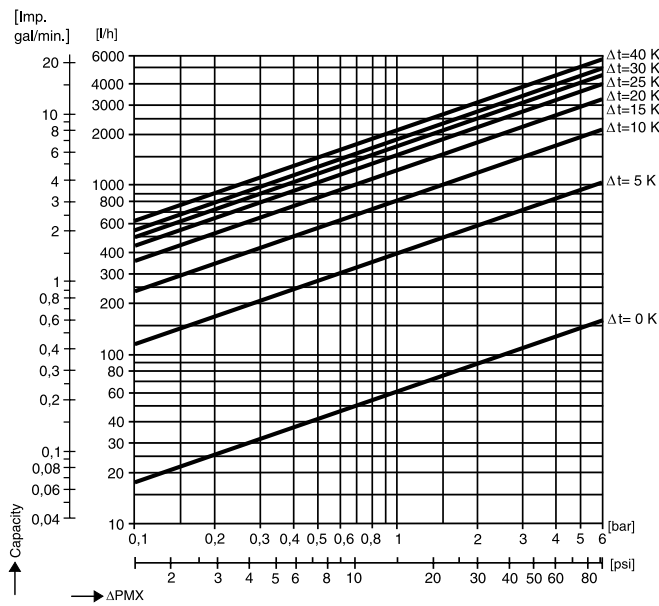


Adjustable closing temperatures

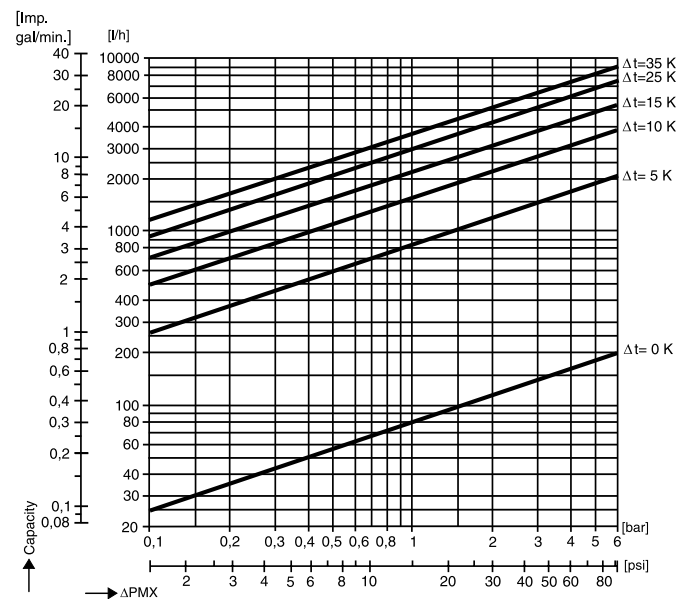
Type	Adjustable range	DN 15 mm	DN 20 mm	DN 25 mm	DN 40 mm
		1/2"	3/4"	1"	1 1/2"
BW 31		60 °C - 130 °C	40 °C - 115 °C	40 °C - 115 °C	50 °C - 110 °C
BW 31A		145 °C - 270 °C	145 °C - 270 °C	145 °C - 270 °C	140 °C - 270 °C

Capacity Charts

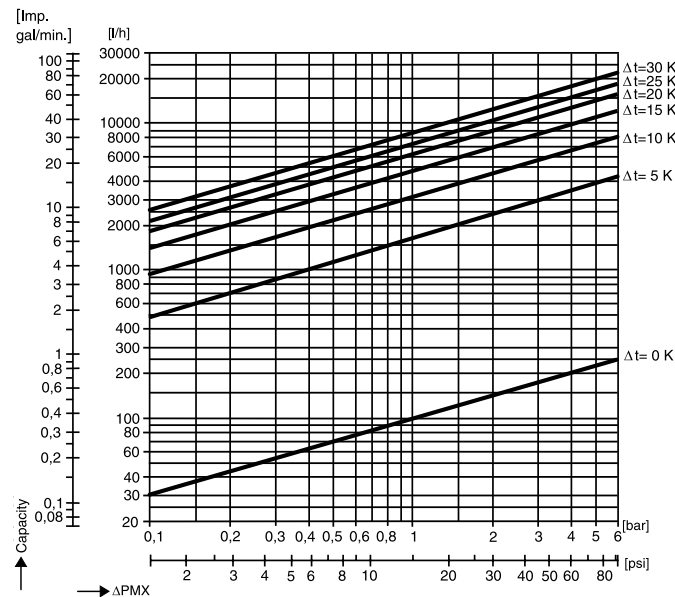
BW 31, DN 15²⁾



BW 31, DN 20 and 25²⁾



BW 31, DN 40²⁾



Δt = temperature difference in Kelvin [K] between closing temperature (temperature at which the valve is closed) and return temperature.

²⁾ For capacity chart BW 31 A see data sheet.