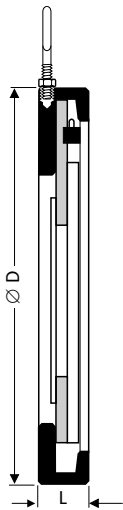
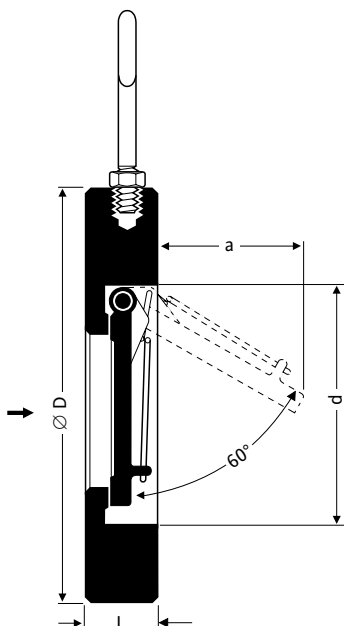


CB 14, DN 50 – 200 mm



DN 250 – 300 mm



CB 24 S, CB 26, CB 26 A, DN 50 – 300 mm

Application

Type	PN	
CB 14	16	For liquids, gases, vapours. CB 14 for water and compressed air.
CB 24 S	16	CB 24 S for sea water, drinking water, swimming-pool water.
CB 26	40	For low temperatures.
CB 26 A	40	CB 26 A for aggressive fluids, drinking water, or swimming-pool water.

Material

Type	Part designation	Nominal sizes DN	DIN reference	ASTM ¹⁾ equivalent
CB 14	Body	50 – 300 mm	1.0038 galvanized	A 214 galvanized
	Flap	50 – 300 mm	NBR	NBR
CB 24 S	Body	50 – 100 mm	Bronze 2.1052	B 505 C 90 700
	Body	125 – 300 mm	Bronze 2.0970	B 148 Alloy 952
CB 26	Body	50 – 200 mm	1.0460	A 105
	Body	250 – 300 mm	1.0038	A 214
CB 26 A	Body	50 – 200 mm	1.4571	A 182 F 316
	Body	250 – 300 mm	1.4581	A 351 CF 8 MC
CB 26	Flap	50 – 80 mm	1.4581	A 351 CF 8 MC
	Flap	100 – 300 mm	0.7043	A 536 Grade 60-40-18
CB 26 A	Flap	50 – 300 mm	1.4581	A 351 CF 8 MC

¹⁾ Physical and chemical properties comply with DIN grade.

Pressure/Temperature Ratings

Type	Nominal sizes DN	PN	PMA / TMA / [bar] / [°C]		
CB 14	50 – 300	16	16 / -10	6 / 60	4 / 80
CB 24 S	50 – 300	16	16 / -200	16 / 90	13 / 250 ²⁾
CB 26	50 – 200	40	40 / -10	30 / 200	20 / 350
	250 – 300	40	40 / -10	27 / 200	21 / 300
CB 26 A	50 – 300	40	40 / -10	32 / 200	26 / 450

²⁾ Max. pressure/temperature rating for CB 24 S without springs.

Weights and Dimensions

Nominal size DN	Dimensions [mm]									Weight [kg]		
	[mm]	[in]	CB 14				CB 24 S, CB 26, CB 26 A				CB 14	CB 24 S
		D	L	a	d ³⁾	D	L	a	d ³⁾			
50	2	98	14	45	47	98	17	40	50	0.7	0.9	0.9
65	2½	118	14	60	64	118	20	50	64	1.0	1.4	1.4
80	3	132	14	70	75	132	24	58	75	1.4	2.0	2.0
100	4	154	14	90	98	154	27	72	99	1.5	3.1	3.1
125	5	184	16	115	124	184	32	88	125	2.5	5.2	5.3
150	6	209	16	145	148	209	32	112	144	3.3	6.7	6.9
200	8	264	18	185	196	264	42	150	198	5.5	13.7	14.1
250	10	319	35	220	242	319	47	182	244	11.2	22.9	23.6
300	12	375	43	270	288	375	52	216	292	14.0	32.8	33.8

³⁾ Minimum flange bore and inside pipe diameter.



Pressure Drop Charts

The curves given in the chart are valid for water at 20 °C. To read the pressure drop for other fluids the equivalent water volume flowrate must be calculated and used in the graph.

The values indicated in the chart are applicable to valves with horizontal flow. With vertical flow insignificant deviations occur only within the range of partial openings.

$$\dot{V}_w = \dot{V} \cdot \sqrt{\frac{\rho}{1000}}$$

\dot{V}_w = Equivalent water volume flow in [l/s] or [m³/h]

ρ = Density of fluid (operating condition) in [kg/m³]

\dot{V} = Volume flow of fluid (operating condition) in [l/s] or [m³/h]

Opening Pressures

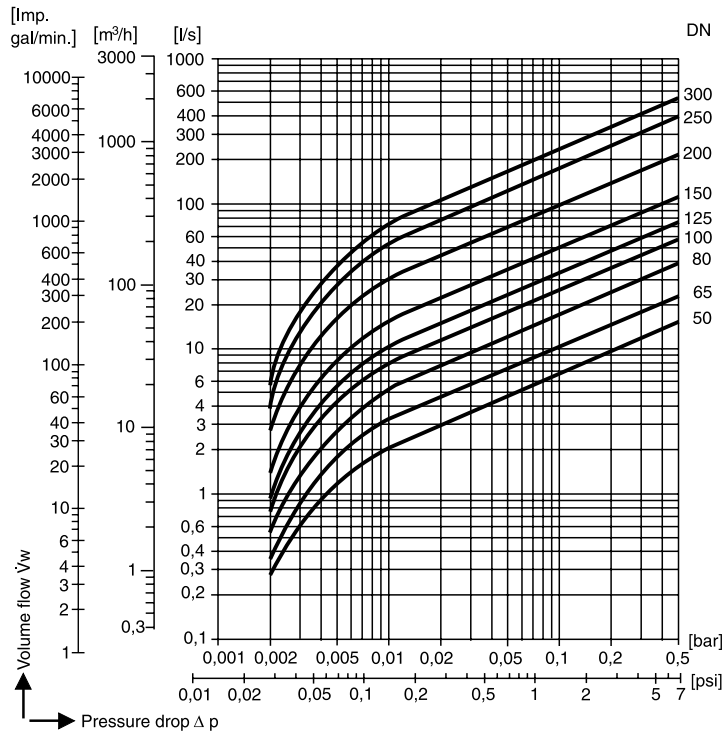
Differential pressures at zero volume flow.

Type	DN [mm]	Opening pressures [mbar]		
		Direction of flow		
		↑	→	↓
CB 14	50 – 150	8	0	1)
	200 – 300	15	0	

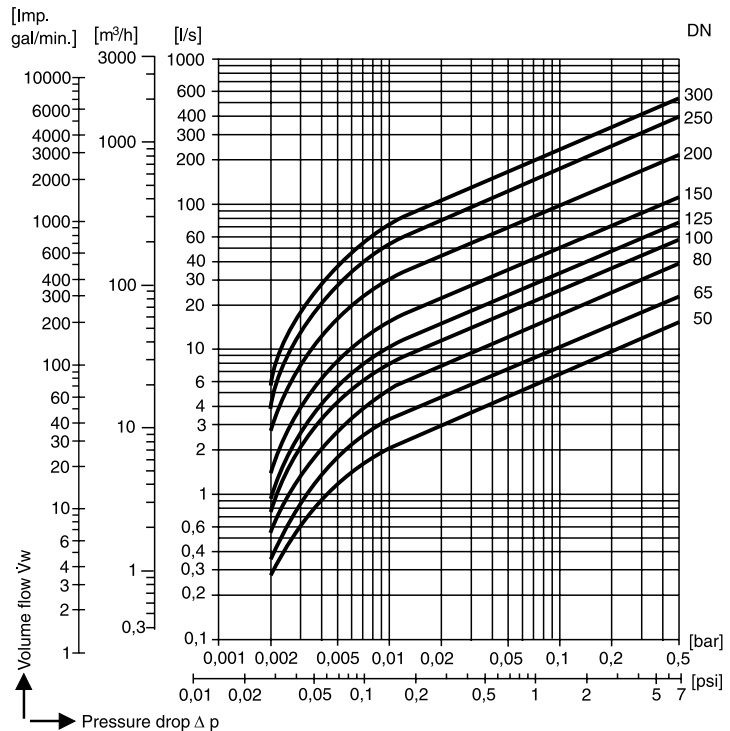
Type	DN [mm]	Opening pressures [mbar]			
		Direction of flow			
		with-out spring	with spring		
		↑	↑	→	↓
CB 24 S	50 – 150	5	12	7	1)
	200 – 300	8	15	7	
CB 26/	50 – 80	5	12	7	1)
CB 26 A	100 – 150	11	18	7	
	200 – 300	18	25	7	

1) Valves should not be used for downward flow applications, since the spring will not close the valve flap.

CB 14



CB 24 S, CB 26, CB 26 A



DISCO Swing Check Valves CB

DN 50 – 300 mm, PN 6 – 40



Stock Codes

Material	Type	Nominal pressure PN	Nominal size		Stock code
			DN	inch	
Soft seat of NBR, without spring	CB 14	6-16	50	2"	1381800
	CB 14	6-16	65	2½"	1381900
	CB 14	6-16	80	3"	1382000
	CB 14	6-16	100	4"	1382100
	CB 14	6-16	125	5"	1382200
	CB 14	6-16	150	6"	1382300
	CB 14	6-16	200	8"	1382500
	CB 14	6-16	250	10"	1382600
	CB 14	6-16	300	12"	1382700
Soft seat of NBR	CB 14 S	6-16	50	2"	1321800
	CB 14 S	6-16	65	2½"	1321900
	CB 14 S	6-16	80	3"	1322000
	CB 14 S	6-16	100	4"	1322100
	CB 14 S	6-16	125	5"	1322200
	CB 14 S	6-16	150	6"	1322300
	CB 14 S	6-16	200	8"	1322500
	CB 14 S	6-16	250	10"	1322600
	CB 14 S	6-40	300	12"	1322700
Soft seat of EPDM	CB 26	6-40	50	2"	1331800
	CB 26	6-40	65	2½"	1331900
	CB 26	6-40	80	3"	1332000
	CB 26	6-40	100	4"	1332100
	CB 26	6-40	125	5"	1332200
	CB 26	6-40	150	6"	1332300
	CB 26	6-40	200	8"	1332500
	CB 26	6-40	250	10"	1332600
	CB 26	6-40	300	12"	1332700
Soft seat of EPDM	CB 26 A	6-40	50	2"	1341800
	CB 26 A	6-40	65	2½"	1341900
	CB 26 A	6-40	80	3"	1342000
	CB 26 A	6-40	100	4"	1342100
	CB 26 A	6-40	125	5"	1342200
	CB 26 A	6-40	150	6"	1342300
	CB 26 A	6-40	200	8"	1342500
	CB 26 A	6-40	250	10"	1342600
	CB 26 A	6-40	300	12"	1342700

Special Designs

Soft seats/ metal-to-metal seats	for type
made of FPM for oils, gases, air up to 200 °C	CB 24 S, CB 26, CB 26 A
metal-to-metal seat	CB 24 S, CB 26, CB 26 A